



sestavni deli za hidravlične cilindre
component parts for hydraulic cylinders



tehnični katalog
technical catalogue

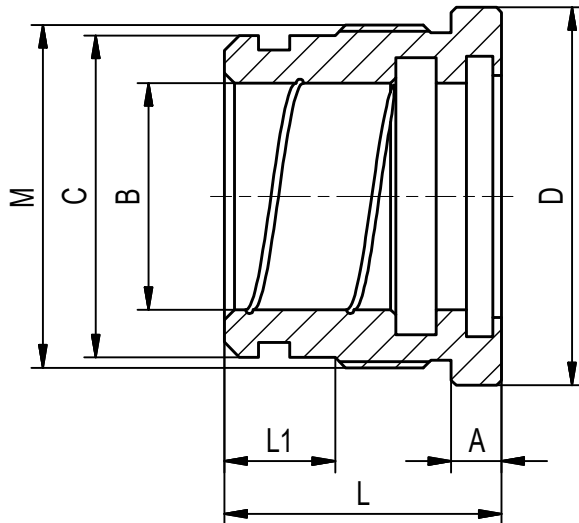
MAPRO
HYDRAULIC MOVEMENT

www.mapro.eu



KAZALO/CONTENTS

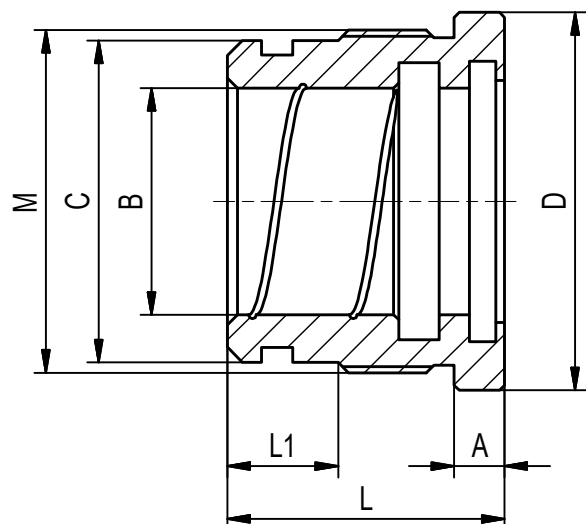
Glava cilindra (Vodilo)/Cylinder head (Bush)	3
Glava cilindra (Vodilo) - tip K/Cylinder head (Bush) - type K	5
Glava (Vodilo) za enostranski cilinder/ Cylinder head for single acting cylinder	6
Dno/End plug	7
Dno - tip K/End plug - type K	8
Bat/Piston	9
Bat z navojem/Threaded piston	10
Bat z navojem - tip K/Threaded piston - type K	11
Samovarovalna matica/Locknut	12
Varilni priključek/Threaded port	13
Varilni priključek - visoki/Threaded port - high	14
Vzmetni obroč/Stop ring for single acting cylinder	15
Zglobna glava - tip K/Rod end - type K	16
Navojni čep - notranji/Threaded sealing plugs - inside	17
Navojni čep - zunanji/Threaded sealing plugs - outside	18
Tečaj/Trunnion	19
Prirobnica/Flange	20



Material: EN- GJL - 250

Vse dimenzije so v milimetrih./All dimensions are in millimetres.

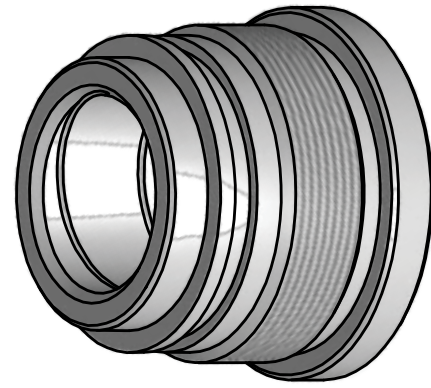
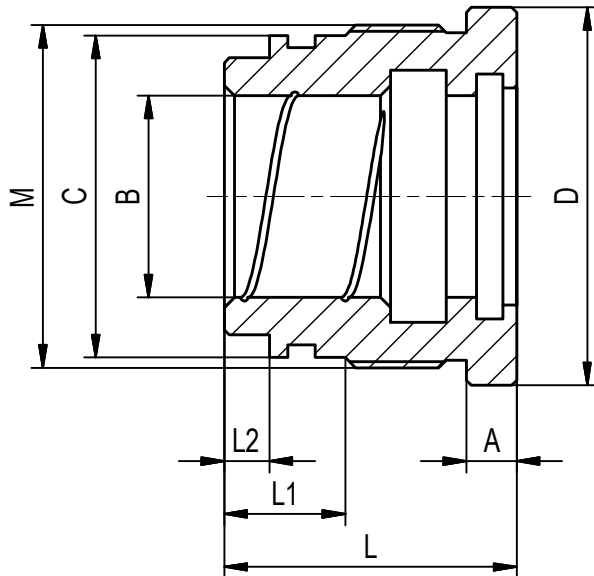
Oznaka Type	C Ø	B Ø	D Ø	M	L	L1	A	Šifra Code
30 / 16	30.5	16	40	M 34×1.5	42	16	7	31105
32 / 20	33	20	42	M 36×1.5	45	15	10	31000
32 / 22	33	22	40	M 36×1.5	55	15	20	31152
40 / 22	41	22	49	M 45×1.5	45	19	10	31001
40 / 25	41	25	49	M 45×1.5	45	19	10	31002
40 / 28	41	28	49	M 45×1.5	45	19	10	31003
40 / 32	41	32	49	M 45×1.5	65	19	30	31004
50 / 22	51	22	59	M 55×1.5	50	22	10	31110
50 / 25	51	25	59	M 55×1.5	50	22	10	31005
50 / 28	51	28	59	M 55×1.5	50	22	10	31006
50 / 30	51	30	59	M 55×1.5	50	22	10	31022
50 / 32	51	32	59	M 55×1.5	50	22	10	31007
50 / 36	51	36	59	M 55×1.5	50	22	10	31008
50 / 40	51	40	59	M 55×1.5	65	22	25	31150
60 / 30	61	30	70	M 65×2	55	22	10	31159
60 / 35	61	35	70	M 65×2	55	22	10	31081
63 / 35 R	64	35	74	M 68×2	55	22	10	31023
63 / 36	64	36	74	M 68×2	55	22	10	31009
63 / 40	64	40	74	M 68×2	55	22	10	31010
63 / 45	64	45	74	M 68×2	55	22	10	31011
70 / 36	71	36	82	M 76×2	60	20	10	31101
70 / 40	71	40	85	M 76×2	60	20	10	31012
70 / 45	71	45	85	M 76×2	60	20	10	31013
80 / 45	81	45	95	M 86×2	70	23	10	31014
80 / 45 M85×2	80	45	95	M 85×2	60	23	10	31015
80 / 50	81	50	95	M 86×2	70	23	10	31016
80 / 56	81	56	95	M 86×2	70	23	10	31017
85 / 50	86	50	100	M 91×2	70	23	10	31029
90 / 40	91	40	105	M 96×2	70	23	10	31021
90 / 50	91	50	105	M 96×2	70	23	10	31043
90 / 56	91	56	105	M 96×2	70	23	10	31126
90 / 63	91	63	105	M 96×2	70	23	10	31170
100 / 40	101	40	115	M105×2	60	25	10	31024



Material: EN- GJL - 250

Vse dimenzije so v milimetrih./All dimensions are in millimetres.

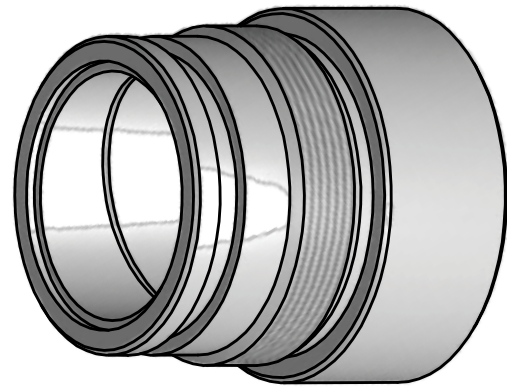
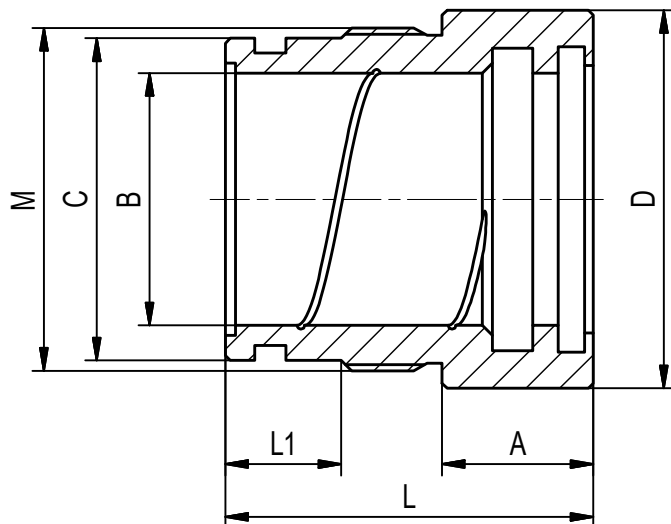
Oznaka Type	C Ø	B Ø	D Ø	M	L	L1	A	Šifra Code
100 / 50	101	50	115	M105×2	70	25	10	31030
100 / 56	101	56	115	M105×2	85	25	10	31018
100 / 63	101	63	115	M105×2	70	25	10	31028
100 / 70	101	70	115	M105×2	85	25	10	31019
160 / 90	161	90	190	M167×3	110	33	12	31038



Material: EN- GJL - 250

Vse dimenzije so v milimetrih./All dimensions are in millimetres.

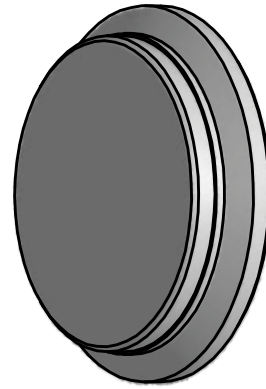
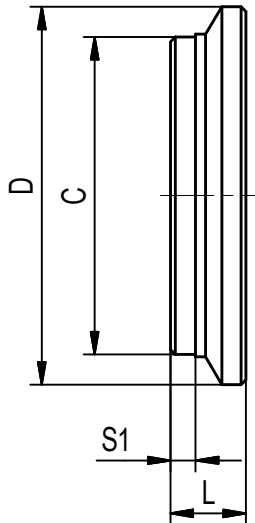
Oznaka Type	C Ø	B Ø	D Ø	M	L	L1	L2	A	Šifra Code
25/ 14 K	26	14	35	M 27×1.5	36	3	-	8	31041
25/ 18 K	-	18	35	M 28×1.5	48	5	-	20	31144
40/ 20 K	41	20	50	M 45×1.5	50	23	8	10	31037
40/ 25 K	41	25	50	M 45×1.5	50	23	8	10	31037
50/ 25 K	51	25	60	M 55×1.5	50	23	7	10	31032
50/ 32 K	51	32	60	M 55×1.5	50	23	7	10	31042
50/ 35 K	51	35	60	M 55×1.5	50	22	5	10	31044
55/ 35 K	56	35	65	M 60×1.5	50	22	5	10	31133
63/ 28 K	64	28	75	M 68×2	58	24	9	10	31111
63/ 32 K	64	32	75	M 68×2	58	24	9	10	31035
63/ 36 K	64	36	75	M 68×2	58	24	9	10	31048
63/ 40 K	64	40	75	M 68×2	58	24	9	10	31036
80/ 40 K	81	40	95	M 86×2	65	25	9	10	31033
80/ 45 K	81	45	95	M 86×2	65	25	9	10	31062
80/ 50 K	81	50	95	M 86×2	65	25	9	10	31050
100/ 45 K	101	45	115	M105×2	60	18	2	8	31185
100/ 50 K	101	50	115	M105×2	70	27	10	10	31034
100/ 60 K	101	60	115	M105×2	70	27	10	10	31090
100/ 63 K	101	63	115	M105×2	70	27	10	10	31051
100/ 70 K	101	70	115	M105×2	70	27	10	10	31141
110/ 63 K	111	63	130	M115×2	95	32	12	10	31114
110/ 70 K	111	70	130	M115×2	95	32	12	10	31061
120/ 50 K	121	50	140	M128×2	105	35	9	12	31072
120/ 70 K	121	70	140	M128×2	105	35	9	12	31156
125/ 50 K	126	50	145	M132×2	105	35	9	12	31069
125/ 70 K	126	70	145	M132×2	105	35	8	12	31045
125/ 75 K	126	75	145	M132×2	105	35	8	12	31179
125/ 90 K	126	90	145	M132×2	105	35	8	12	31046
140/ 80 K	141	80	165	M147×3	105	36	11	12	31055
180/ 110 K	184	110	200	M190×3	150	52	25	20	31075



Material: EN- GJL - 250

Vse dimenzije so v milimetrih./All dimensions are in millimetres.

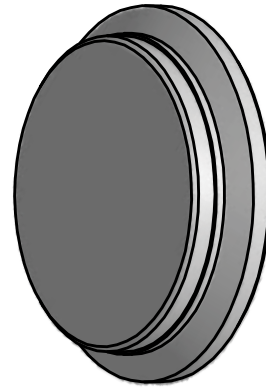
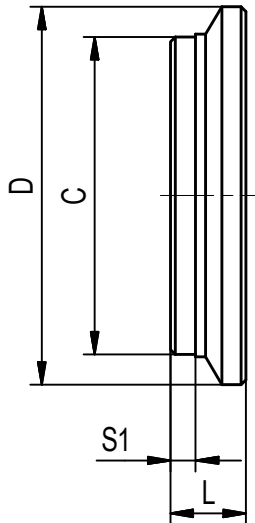
Oznaka Type	C Ø	B Ø	D Ø	M	L	L1	A	Šifra Code
Plu. 25	36	25	45	M40×1.5	55	14	22	33006
Plu. 32	51	32	60	M55×1.5	67	17	25	33018
Plu. 40	51	40	60	M55×1.5	70	24	25	33000
Plu. 45	57	45	65	M60×1.5	70	20	25	33017
Plu. 45 - R	71	45	85	M76×2	65	25	10	33008
Plu. 50	64	50	75	M68×2	73	25	30	33001
Plu. 50 - R 1	71	50	85	M76×2	65	25	10	33010
Plu. 55 - R	71	55	85	M76×2	65	25	10	33009
Plu. 63	75	63	85	M79×2	92	26	30	33002
Plu. 70	81	70	95	M86×2	90	23	30	33003
Plu. 80	93	80	105	M97×2	88	21	30	33004



Material: S 355 J2G3

Vse dimenzije so v milimetrih./All dimensions are in millimetres.

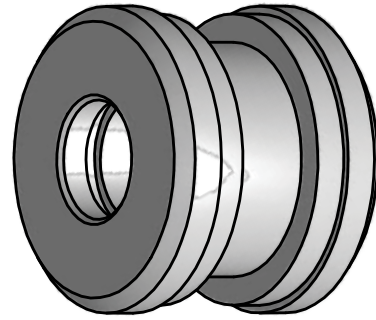
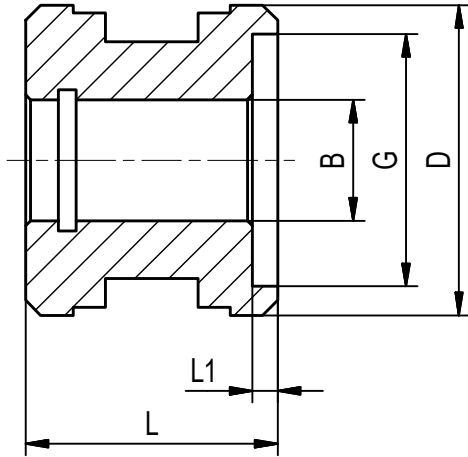
Oznaka Type	C Ø	D Ø	L	S1	Šifra Code
25 / 10	25	42	10	2	34026
32 / 15	32	42	15	5	34000
35 / 10	35	45	10	2	34284
40 / 15	40	50	15	5	34001
50 / 15	50	60	15	5	34002
55 / 13	55	65	13	3	34318
63 / 15	63	75	15	5	34003
70 / 15	70	85	15	5	34004
80 / 18	80	95	18	5	34005
85 / 20	85	100	20	5	34019
90 / 18	90	105	18	5	34006
100 / 20	100	115	20	5	34007
110 / 20	110	125	20	5	34020
120 / 18	120	140	18	5	34095
125 / 25	125	145	25	5	34030
140 / 25	140	165	25	5	34023
150 / 18	150	165	18	5	34097
160 / 30	160	190	30	5	34098
180 / 30	180	220	30	5	34102
200 / 40	200	245	40	5	34123



Material: S 355 J2G3

Vse dimenzije so v milimetrih./All dimensions are in millimetres.

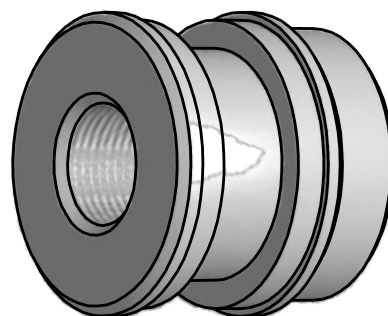
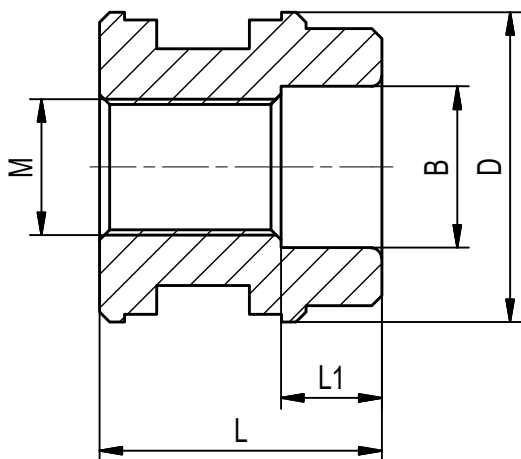
Oznaka Type	C Ø	D Ø	L	S1	Šifra Code
25 / 10 - K	25	35	10	2	34026
40 / 10 - K	40	50	10	2.5	34024
50 / 10 - K	50	60	10	3	34025
63 / 10 - K	63	75	10	2	34021
70 / 10 - K	70	80	10	2	34235
80 / 12 - K	80	95	12	4	34029
100 / 12 - K	100	115	12	4	34028
110 / 20 - K	110	130	20	5	34082
125 / 18 - K	125	145	18	5	34075



Material: 11 SMn 30

Vse dimenzije so v milimetrih./All dimensions are in millimetres.

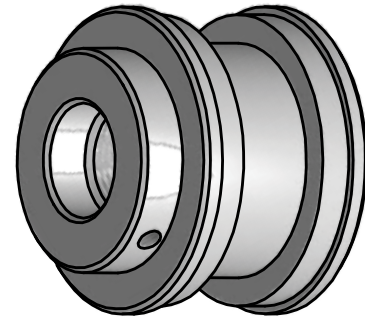
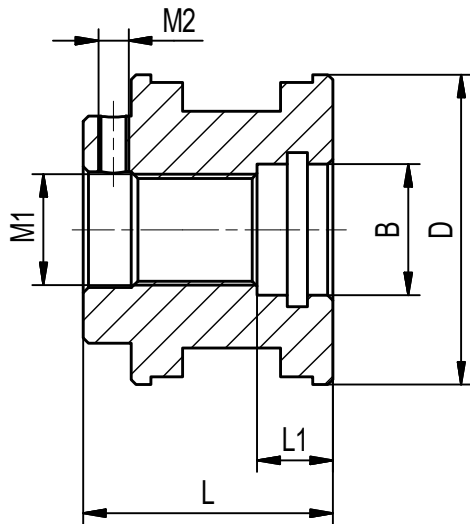
Oznaka Type	D Ø	B Ø	G	L	L1	Šifra Code
40 / 17	40	17	-	40	-	37000
50 / 21	50	21	-	40	-	37001
63 / 24	63	24	50	50	5	37002
70 / 24 R	70	24	50	50	5	37005
80 / 28	80	28	58	50	7	37003
100 / 36	100	36	60	50	10	37004
110 / 36	110	36	60	50	10	37009



Material: 11 SMn 30

Vse dimenzije so v milimetrih./All dimensions are in millimetres.

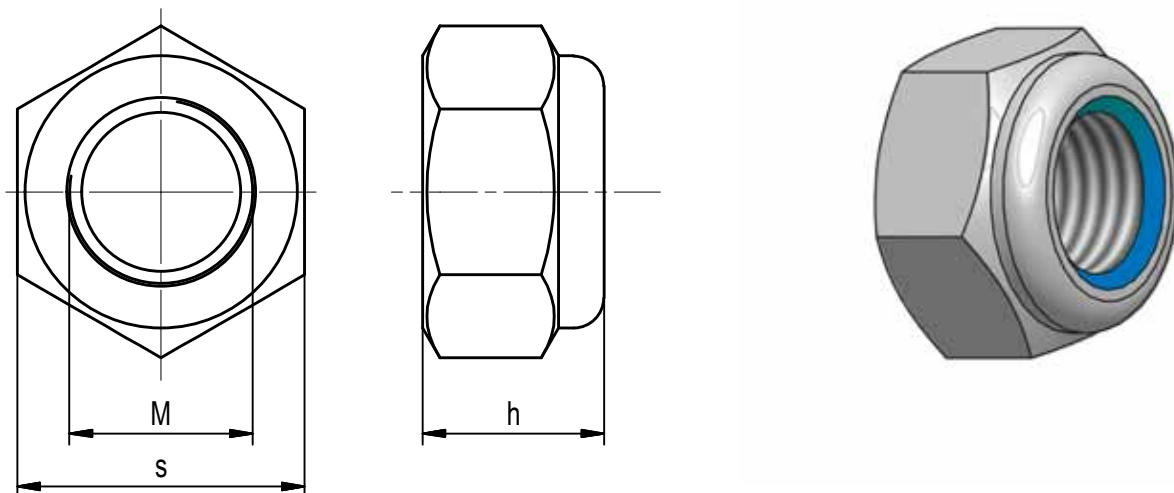
Oznaka Type	D Ø	B Ø	M	L	L1	Šifra Code
32	32	18	M16×1.5	44	20	35000
40	40	18	M16×1.5	47	20	35001
50	50	25	M20×1.5	50	20	35002
60	60	32	M27×2	56	20	35073
63	63	32	M27×2	56	20	35003
63 - B	63	32	M27×2	46	10	35014
70	70	32	M27×2	56	20	35004
80	80	40	M33×2	63	20	35005
85	85	40	M33×2	63	20	35012
90 - R	90	40	M33×2	60	20	35013
100 - C	100	50	M45×1.5	67	20	35020
110	110	50	M45×1.5	67	20	35007
160	160	71	M68×2	90	40	35021



Material: 11 SMn 30

Vse dimenzije so v milimetrih./All dimensions are in millimetres.

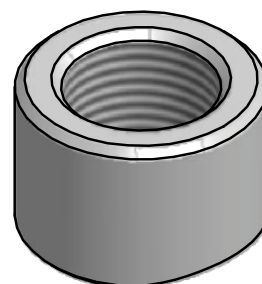
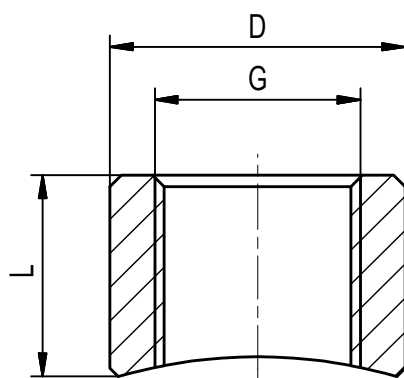
Oznaka Type	D Ø	B Ø	M1	L	L1	M2	Šifra Code
25 - K	25	12	M 10×1	22	10	-	35024
40 - K	40	16	M 16×1.5	47	20	M5	35019
50 - K	50	20	M 18×1.5	47	15	M5	35015
55 - K	55	20	M 18×1.5	47	15	M5	35087
63 - K	63	26	M 22×1.5	49.5	15	M6	35018
70 - K	70	26	M 22×1.5	49.5	15	M6	35095
80 - K	80	37	M 33×2	57	15	M6	35016
100 - K	100	42	M 40×2	57	15	M6	35017
110 - K	110	62	M 58×1.5	67	20	M6	35029
120 - K	120	50	M 45×1.5	77	20	M6	35046
125 - K	125	50	M 45×1.5	62	15	M6	35059
140 - K	140	62	M 58×1.5	80	20	M8	35032
180 - K	180	110	M105×2	105	15	M8	35035



Material: 11 SMn Pb 37

Vse dimenzije so v milimetrih./All dimensions are in millimetres.

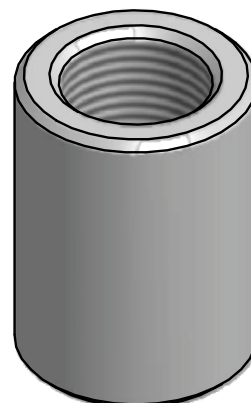
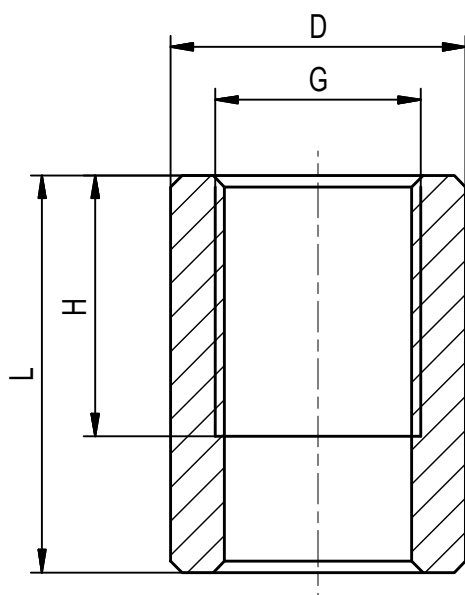
Oznaka Type	s	h	Šifra Code
M 5	8	5	15313
M 6	10	6	15300
M 8	13	8	15301
M 10	17	10	15302
M 12×1.25	19	12	15304
M 12×1.5	19	12	15303
M 14×1.5	22	14	15305
M 16×1.5	24	16	15306
M 18×1.5	27	18	15307
M 20×1.5	30	17	15308
M 22×1.5	32	19	15309
M 27×2	41	23	15310
M 33×2	50	26	15311
M 45×3	70	35	15312



Material: S 235 JR

Vse dimenzije so v milimetrih./All dimensions are in millimetres.

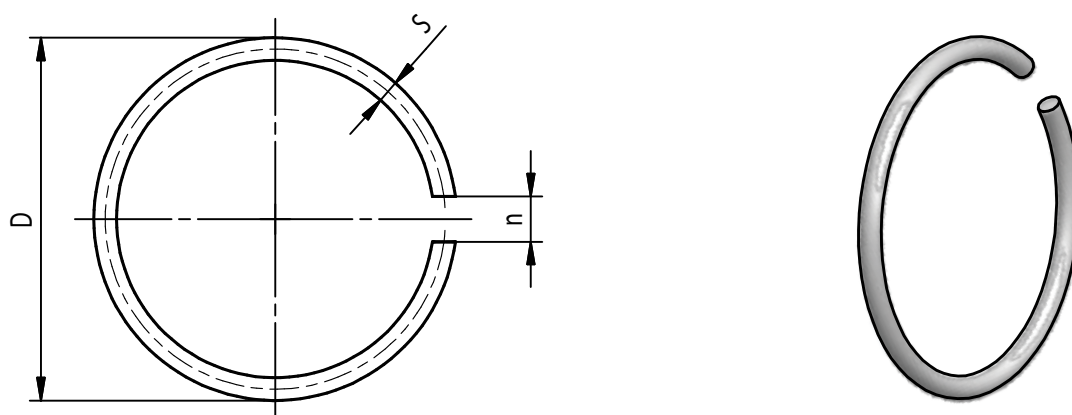
Oznaka Type	G	D Ø	L	Šifra Code
MPR G 1/8"	G 1/8"	20	14	12300
MPR G 1/4"	G 1/4"	20	18	12301
MPR G 3/8"	G 3/8"	26	18	12302
MPR G 1/2"	G 1/2"	30	19	12303
MPR G 3/4"	G 3/4"	38	23	12304
MPR G 1"	G 1"	45	26	12305
MPR G 1 1/4"	G 1 1/4"	60	31	12306
MPR G 1 1/2"	G 1 1/2"	65	31	12307
Oznaka Type	G	D Ø	L	Šifra Code
MPR M 8	M 8	15	14	12400
MPR M 10×1	M 10×1	23	14	12401
MPR M 12×1.5	M 12×1.5	23	18	12402
MPR M 14×1.5	M 14×1.5	23	18	12403
MPR M 16×1.5	M 16×1.5	26	18	12404
MPR M 18×1.5	M 18×1.5	26	18	12405
MPR M 20×1.5	M 20×1.5	30	19	12406
MPR M 22×1.5	M 22×1.5	30	19	12407
MPR M 27×2	M 27×2	38	23	12408
MPR M 33×2	M 33×2	45	26	12409



Material: S 235 JR

Vse dimenzije so v milimetrih./All dimensions are in millimetres.

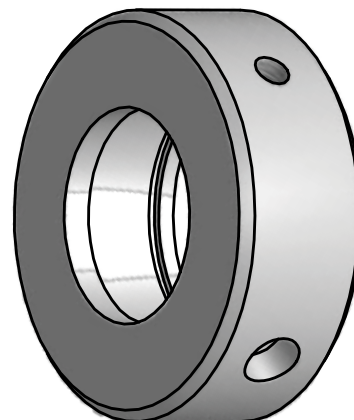
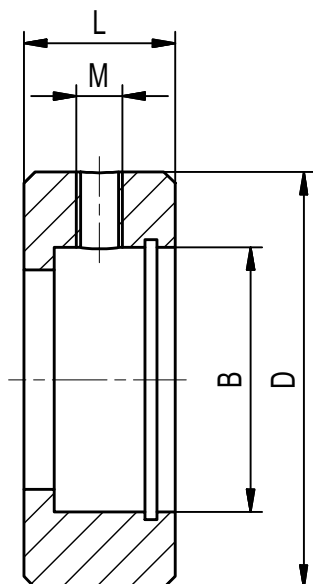
Oznaka Type	G	D Ø	L	H	Šifra Code
MPR - B G1/4"	G 1/4"	23	37	22	12200
MPR - B G3/8"	G 3/8"	26	42	26	12201
MPR - B G1/2"	G 1/2"	30	48	30	12202
MPR - B G3/4"	G 3/4"	38	57	38	12203



Material: Vzmetno jeklo/Spring steel

Vse dimenzije so v milimetrih./All dimensions are in millimetres.

Oznaka Type	D Ø	S Ø	n	Šifra Code
21x2	21	2	1÷3	12013
26x2	26	2	1÷3	12012
36x3	36	3	1÷3	12000
41x3	41	3	1÷3	12001
46x3	46	3	1÷3	12002
50x2	50	2	10	12024
51x3	51	3	1÷3	12003
56x4	56	4	10	12034
57x3	57	3	2÷6	12004
61x4	61	4	2÷6	12005
65x2	65	2	10	12025
65x3	65	3	2÷6	12020
65x4	65	4	2÷6	12006
68x4	68	4	2÷6	12029
72x3	72	3	2÷6	12021
72x4	72	4	2÷6	12007
77x4	77	4	2÷6	12018
80x2	80	2	10	12026
82x4	82	4	2÷6	12008
92x4	92	4	2÷6	12009
97x4	97	4	2÷6	12031
103x5	103	5	2÷6	12010
113x5	113	5	2÷6	12014
122x4	122	4	2÷6	12032
124x6	124	6	2÷6	12011
150x6	150	6	10	12033



Material: S 355 J2G3

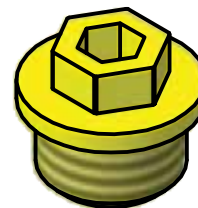
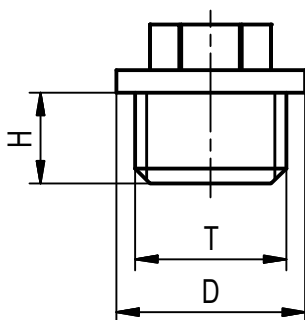
Vse dimenzije so v milimetrih./All dimensions are in millimetres.

Oznaka Type	D Ø	B Ø	L	M	Ležaj Bearing	Šifra Code
MS 10 - K	32	19	12	/	GE 10 DO	34055
MS 12 - K	36	22	15	M6	GE 12 DO	34178
MS 20 - K	55	35	20	M6	GE 20 DO	34054
MS 25 - K	64	42	25	M6	GE 25 DO	34050
MS 30 - K	76	47	28	M6	GE 30 DO	34053
MS 35 - K	90	55	30	M6	GE 35 DO	34051
MS 40 - K	102	62	40	M6	GE 40 DO	34303
MS 45 - K	106	68	35	M6	GE 45 DO	34052
MS 50 - K	110	75	40	M6	GE 50 DO	34076
MS 60 - K	140	90	50	M6	GE 60 DO	34184

Zglobne glave imajo izdelano središčno izvrtino za lažje pozicioniranje pri varjenju na cilinder.

Rod ends are equipped with central boring to facilitate positioning when welding onto the cylinder.

GPN 700

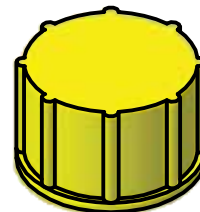
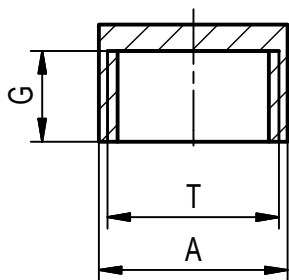


Material: Poliamid 6/Polyimide 6

Vse dimenzije so v milimetrih./All dimensions are in millimetres.

T	D	H	Šifra Code
G 1/8"	16.16	8.02	17800
G 1/4"	18.12	9.88	17801
G 3/8"	21.00	10.50	17802
G 1/2"	25.19	10.97	17803
G 3/4"	31.33	11.45	17804
G 1"	38.00	12.00	17810
T	D	H	Šifra Code
M 10×1.5	16.0	8.5	17834
M 12×1.5	18.5	11.5	17820
M 14×1.5	20.0	11.5	17821
M 16×1.5	21.5	8.0	17822
M 18×1.5	22.5	7.5	17823
M 20×1.5	23.5	7.5	17824
M 22×1.5	25.0	8.0	17825
M 24×1.5	28.0	8.5	17832
M 26×1.5	31.0	11.5	17833

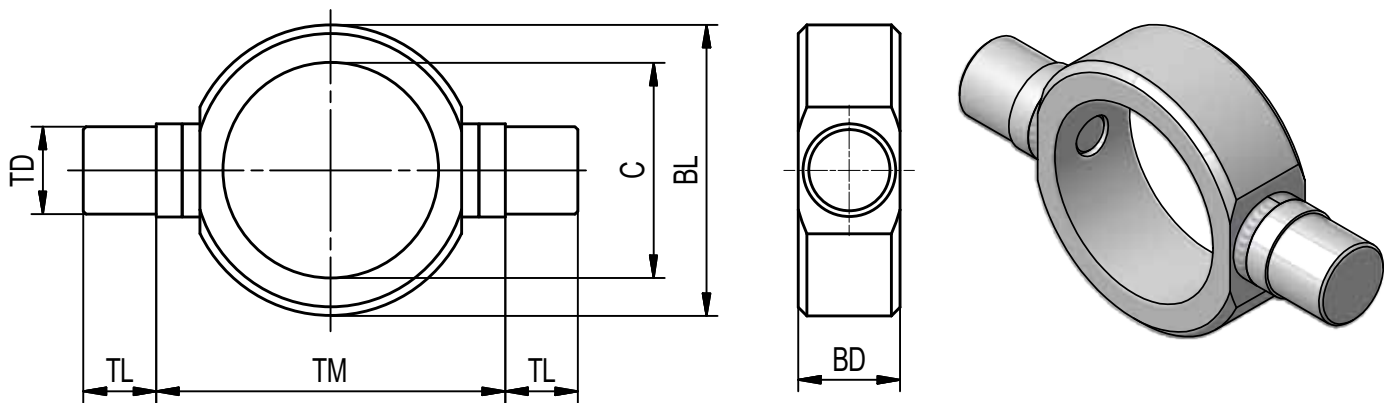
GPN 800



Material: Polietilen (PE-HD)/Polyethylene (PE-HD)

Vse dimenzije so v milimetrih./All dimensions are in millimetres.

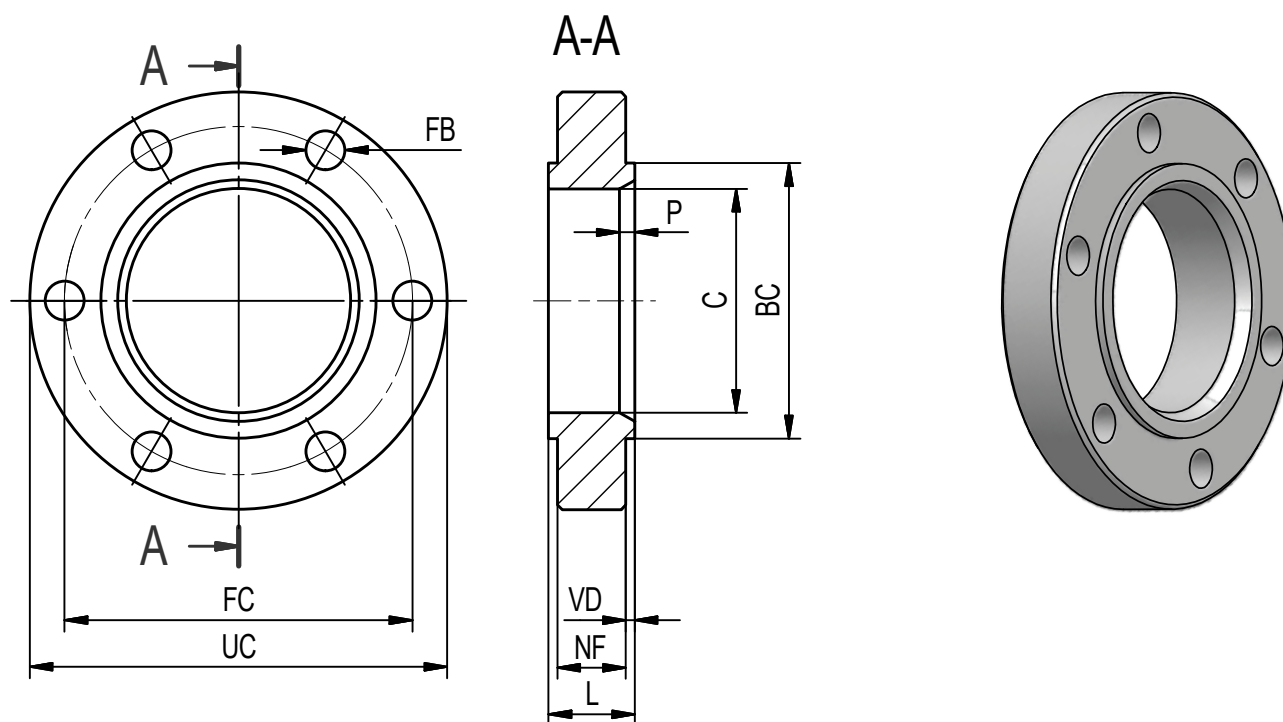
T	A	G	Šifra Code
G 1/8"	14.0	8.0	17851
G 1/4"	18.0	12.0	17846
G 3/8"	21.0	12.0	17852
G 1/2"	25.0	14.0	17845
G 3/4"	32.0	14.0	17853
G 1"	39.0	14.0	17854
T	A	G	Šifra Code
M 10×1	14.0	8.0	17848
M 12×1.5	16.0	12.0	17847
M 14×1.5	18.0	12.0	17844
M 16×1.5	21.0	12.0	17843
M 18×1.5	22.0	12.0	17840
M 20×1.5	25.0	14.0	17841
M 22×1.5	28.0	14.0	17842
M 24×1.5	30.0	14.0	17855
M 26×1.5	34.0	11.0	17856



Material: S 235 JR

Vse dimenzije so v milimetrih./All dimensions are in millimetres.

Bat Piston	C Ø	BL Ø	TD Ø f8	TM	TL	BD	Šifra Code
25	34	45	12	50	14	16	34225
32	41	50	17	68	17	20	34226
40	49	60	20	90	16	25	34227
50	59	80	25	105	20	30	34216
63	74	100	30	120	25	35	34210
70	84	110	30	120	25	35	34217
80	94	125	40	135	32	45	34218
90	104	135	40	135	32	45	34219
100	114	150	50	160	40	55	34215
110	129	150	50	160	40	55	34220
125	143	180	60	195	50	65	34212
140	163	200	65	220	60	70	34214
160	187	235	80	240	60	85	34221
180	217	265	80	270	60	85	34222
200	242	295	100	295	80	105	34223
250	296	360	125	365	100	130	34224



Material: S 235 JR

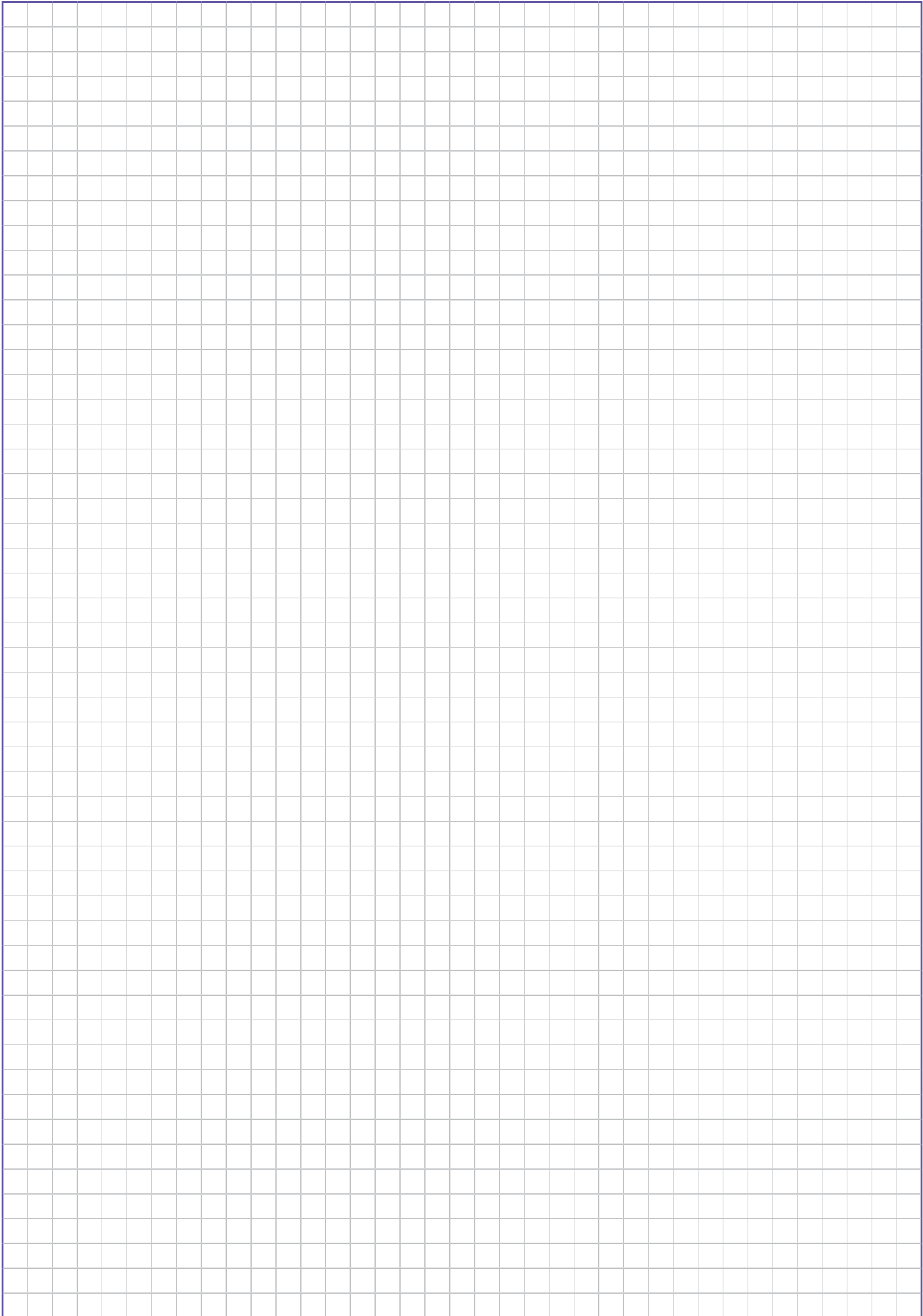
Vse dimenzije so v milimetrih./All dimensions are in millimetres.

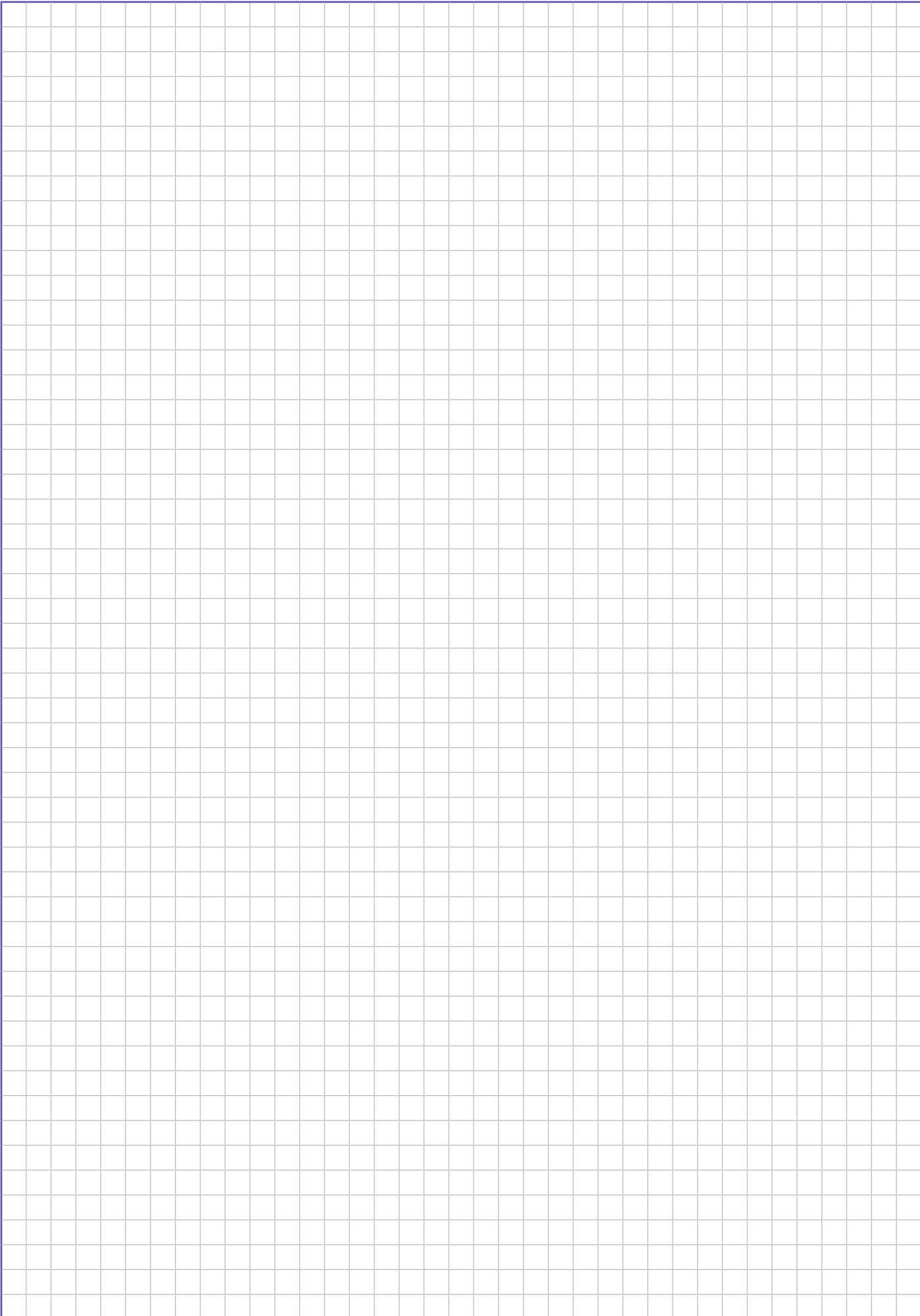
Bat Piston	UC Ø	FC Ø	FB Ø	BC Ø e8	C Ø	L *	NF *	VD	P **	Šifra Code
25	85	65	9	45	34	14	8	3	-	34527
32	95	75	9	55	41	16	10	3	-	34528
40	104	85	11	65	49	20	14	3	-	34518
50	118	95	11	75	59	23	17	3	-	34519
63	138	115	13	90	74	28	22	3	5/30°	34520
70	158	125	13	100	84	31	25	3	5/30°	34529
80	178	145	17	115	94	33	27	3	5/30°	34521
90	188	155	17	125	104	33	27	3	5/30°	34530
100	205	170	17	140	114	38	32	3	6/30°	34522
110	225	190	17	160	129	38	32	3	6/30°	34531
125	245	205	21	165	143	41	35	3	6/30°	34523
140	300	250	26	200	163	41	35	3	8/30°	34509
160	335	275	30	225	187	46	40	3	8/30°	34532
180	380	310	30	255	217	56	50	3	8/30°	34525
200	410	345	33	285	242	56	50	3	8/30°	34524
250	470	405	33	345	296	66	60	3	10/30°	34533

* Prirobnico je potrebno po varjenju postružiti, da se zagotovi ustrezna pravokotnost prirobnice s cevjo, zato imajo mere L, NF in BC dodatek za struženje, ki ni všteti v tabeli.

* Once welding is finished, flange needs to get planed to assure required perpendicularity of the flange in regard to the tube, that is why dimensions L, NF and BC are augmented by planing addition, not given in the table.

** Prirobnico se privari z obeh strani. / Flange is to be welded from both sides.







MAPRO



MAPRO d.o.o.
Industrijska ulica 12
4226 Žiri - Slovenia
European Union
T +386 4 510 50 90
F +386 4 510 50 91
E info@mapro.si
I www.mapro.eu